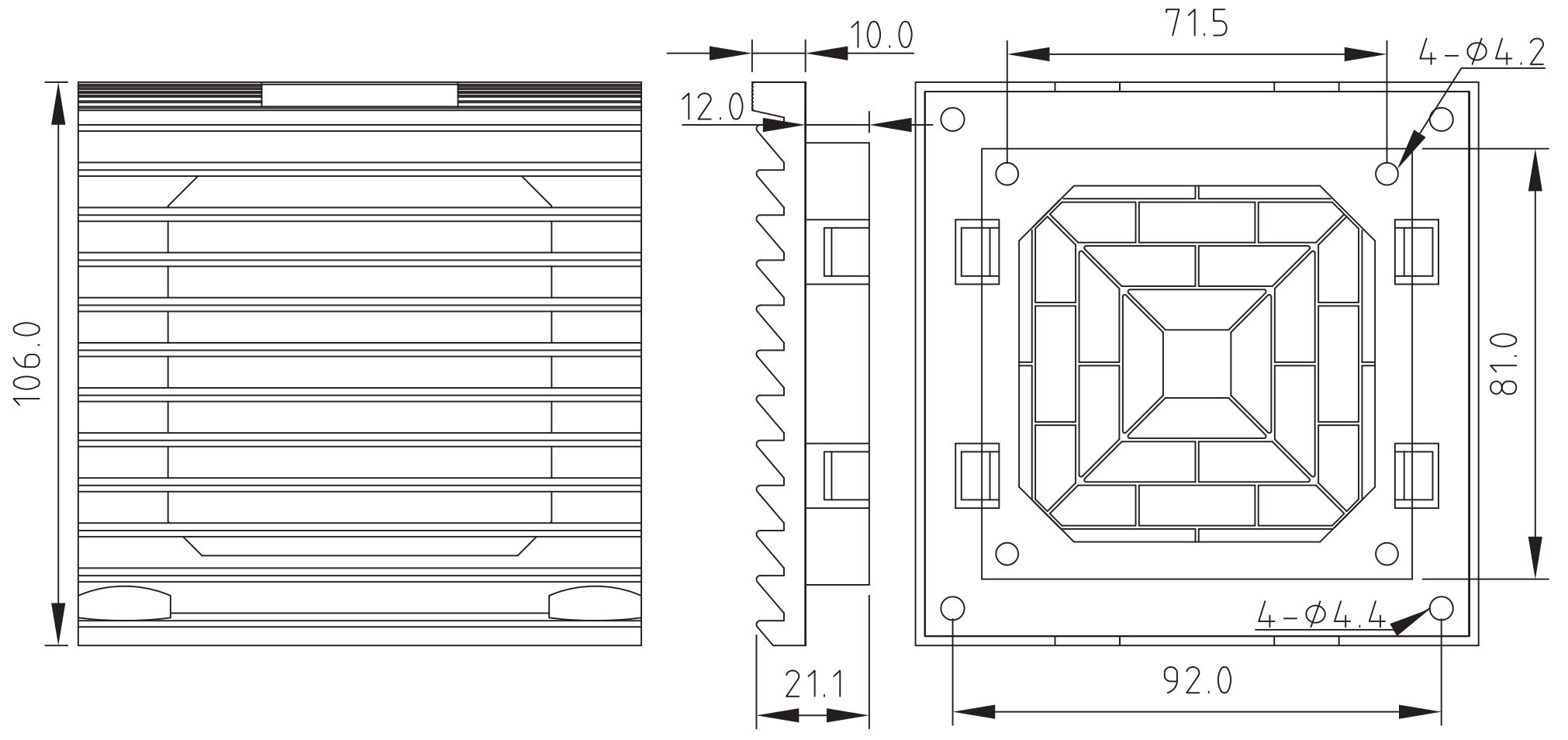


Revision			
Rev.	Description	Date	Approved
A-3		2017/6/30	R/D



Specifications:

- Frame: Retainer (R) & Grill (G), Made of thermoplastic ABS resin.
Filter Media (F): Synthetic Filber.
- General tolerance unless noted is $\pm 0.5\text{mm}$. Weight: 55g.

SINWAN® Sinwan Electric Industries Co., Ltd.

Part Number: **RFG80C**

Description:
(Louvered ventilator Filter Kits For 80mm (3.1") Fans)