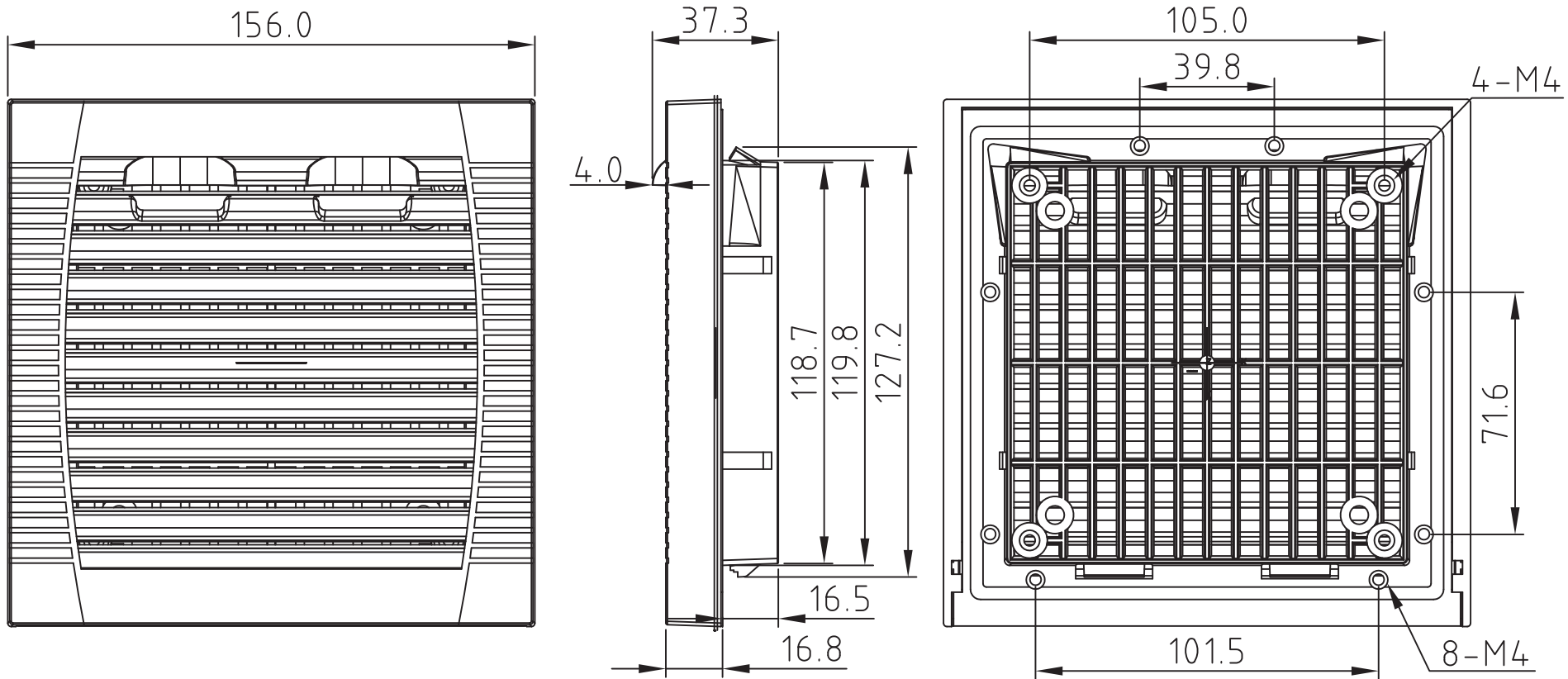


Revision			
Rev.	Description	Date	Approved
A-3		2017/6/30	R/D



Specifications:

- Frame: Retainer (R) & Grill (G), Made of thermoplastic ABS resin.
Filter Media (F): Synthetic Filber.
- General tolerance unless noted is $\pm 0.5\text{mm}$. Weight: 167g.



Sinwan Electric Industries Co., Ltd.

Part Number:

RFG119B

Description:

(Louvered ventilator Filter Kits For 119mm (4.7") Fans)