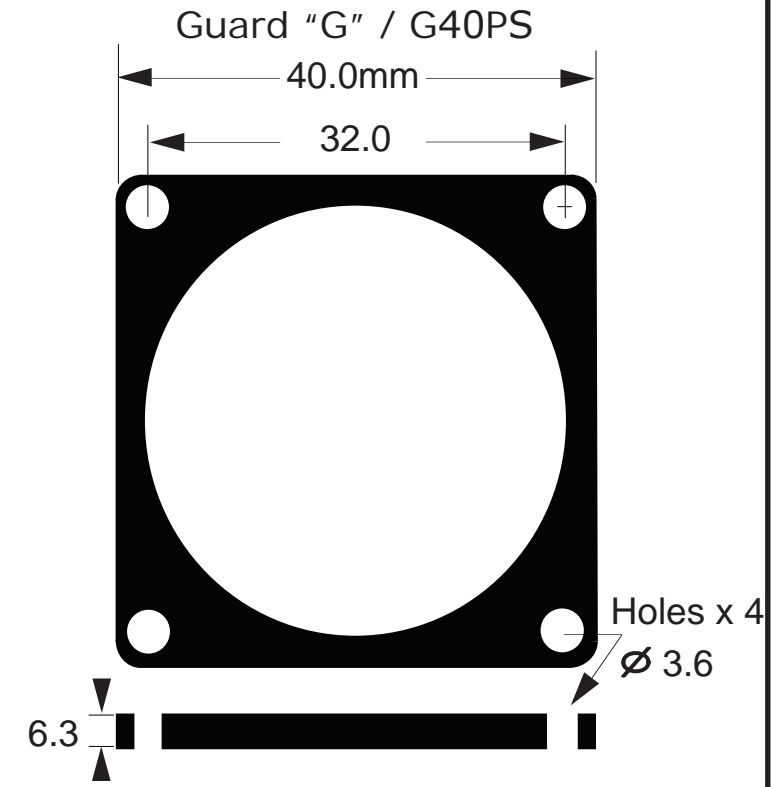
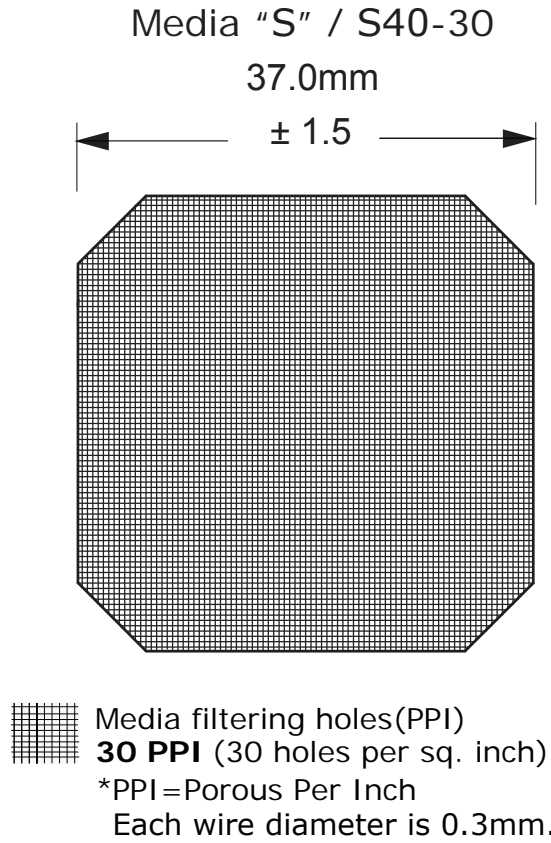
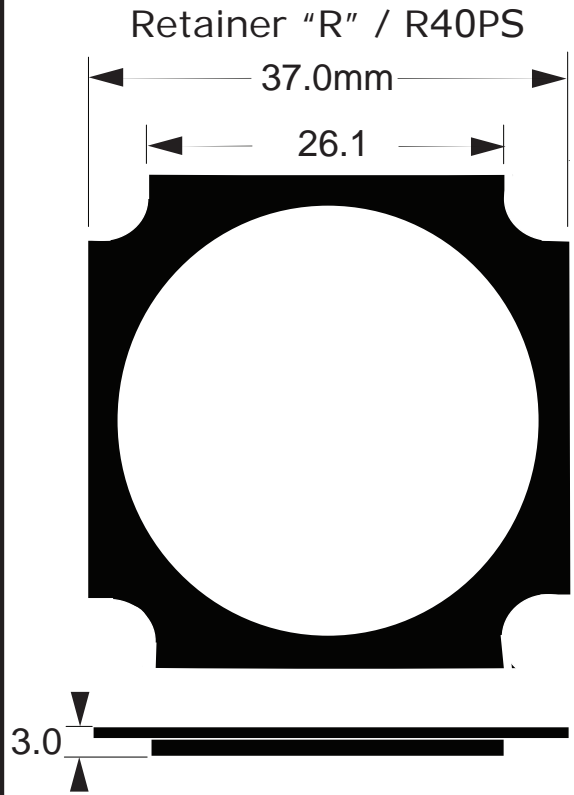



Revision			
Rev.	Description	Date	Approved
A-1		2018/5/9	RD



Specification / Material:

- General tolerance unless noted is $\pm 0.3\text{mm}$
- Plastic guard "G" & Retainer "R" made of plastic ABS764 glass reinforced flammability rated UL94V-0
- Media "S" is made of Stainless steel wire (304), tightly woven corrugated. Mesh 30x30 holes.
- Color: black / Weight:

 **Sinwan Electric Industries Co., Ltd.**

Part Number: **GRS40-30B**

Description:
(Plastic Stainless Filter Kits For 40mm (1.57") Fans)