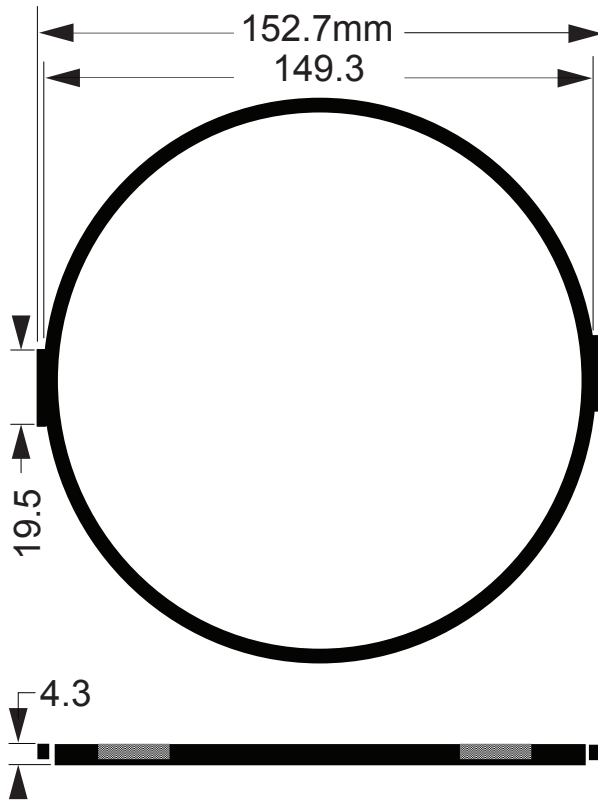
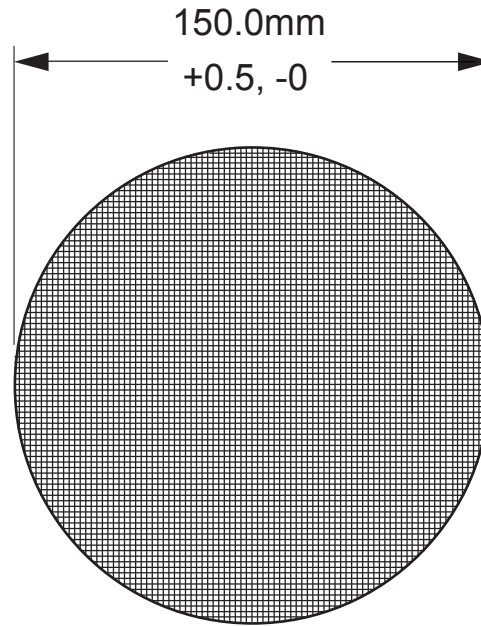


Revision			
Rev.	Description	Date	Approved
A-1		2018/5/9	RD

Retainer "R" / R172PS

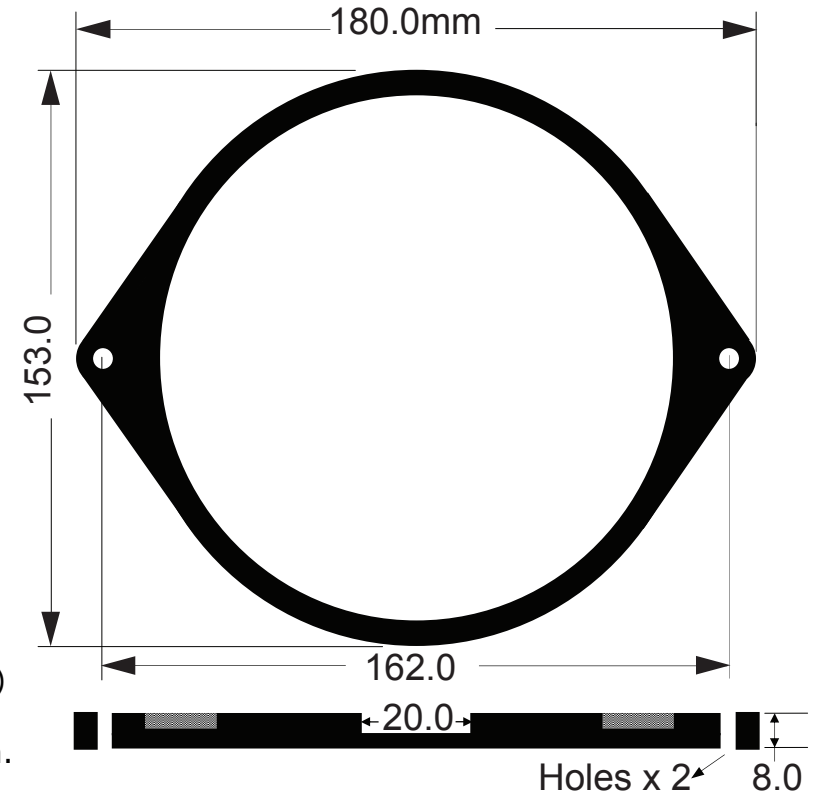


Media "S" / S172-30



Media filtering holes(PPI)  
**30 PPI** (30 holes per sq. inch)  
 \*PPI=Porous Per Inch  
 Each wire diameter is 0.3mm.

Guard "G" / G172PS



**Specification / Material:**

- General tolerance unless noted is  $\pm 0.3\text{mm}$
- Plastic guard "G" & Retainer "R" made of plastic ABS764 glass reinforced flammability rated UL94V-0
- Media "S" is made of Stainless steel wire (304), tightly woven corrugated. Mesh 30x30 holes.
- Color: black / Weight:

 Sinwan Electric Industries Co., Ltd.

**Part Number:** **GRS172-30B**

**Description:**  
 ( Plastic Stainless Filter Kits For 172mm (6") Fans )