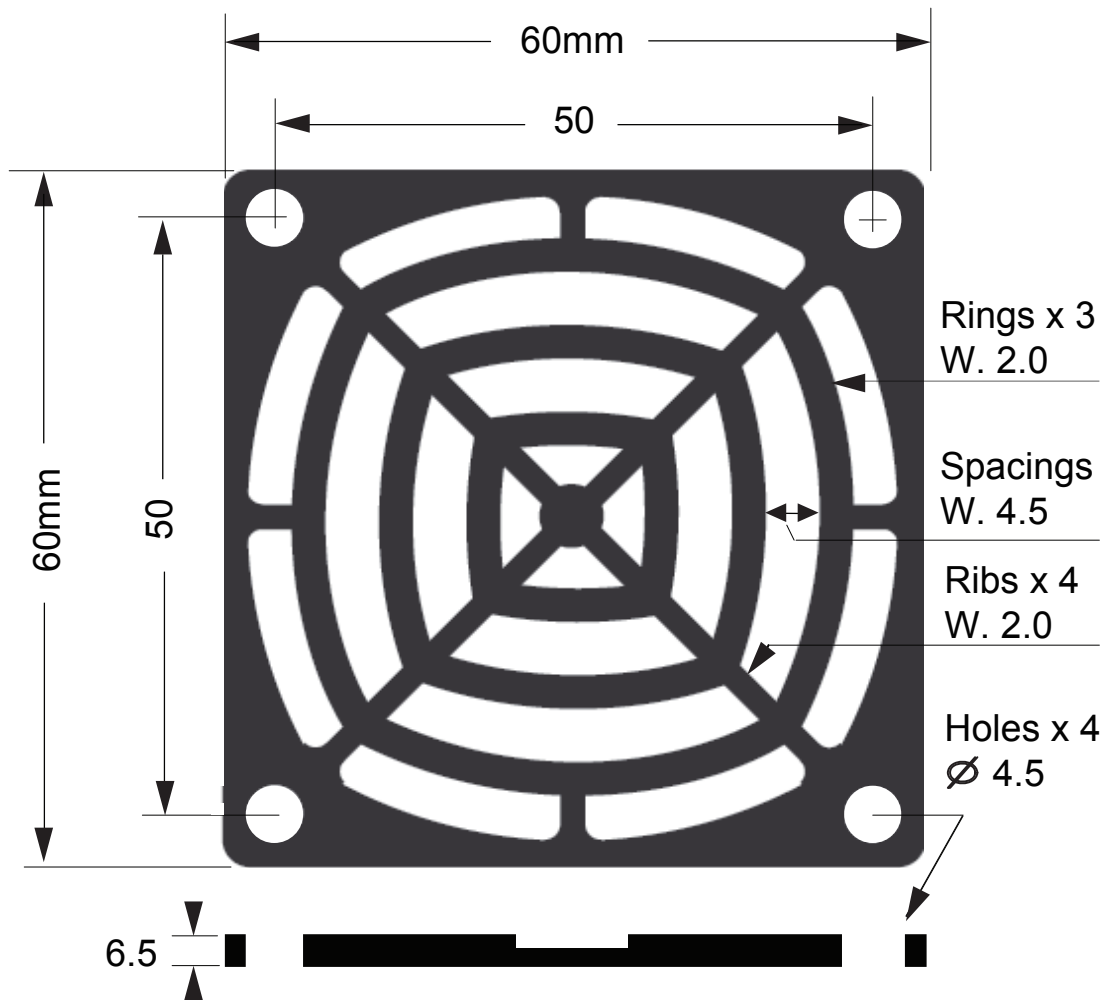


Revision			
Rev.	Description	Date	Approved
A-2		2015/2/5	RD



Specifications:

1. General tolerance unless noted is $\pm 0.3\text{mm}$
2. Hole to Hole: 50.0mm
3. Spacings: 4.5mm
4. Holes dia.: 4.5mm
5. Rings width: 2.0mm
6. Ribs width: 2.0mm
7. Height: 6.5mm
8. Staging rings: 3 rings

Material:

- Reinforced plastic ABS, UL94V-0
- Color: standard black
(Other colors are available, MOQ is required)
- Weight: 5.8Gm

Mates with:

- DC: SD6010, SD6015PT, SD6020PT, SD6025PT series cooling fan



Sinwan Electric Industries Co., Ltd.

Part Number:

G60P

(thru hole, Raised)

Description:

Plastic Fan Guard For 60mm (2.36 ") Fan