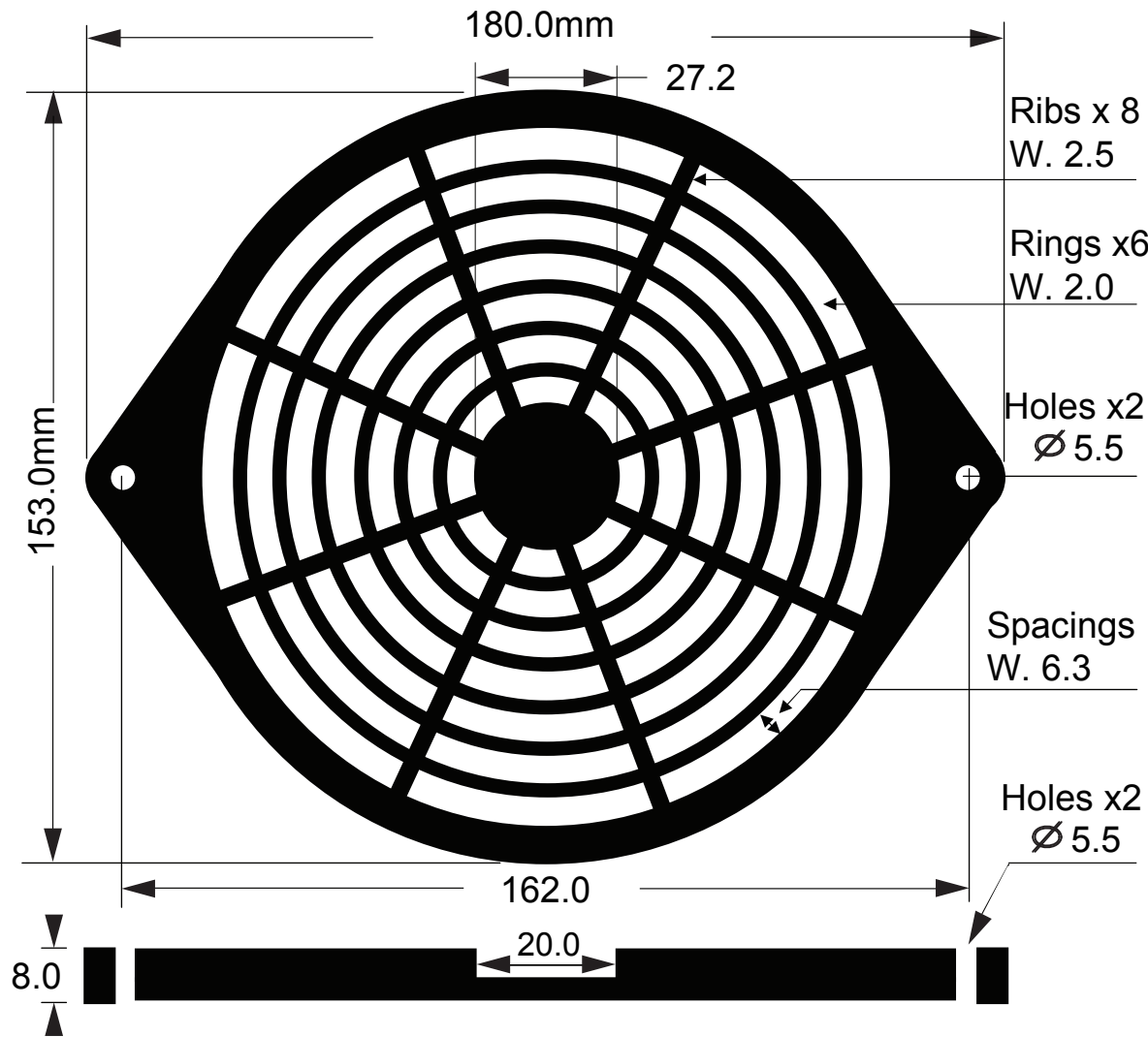


Revision			
Rev.	Description	Date	Approved
A-2		2015/2/5	RD



Specifications:

1. General tolerance unless noted is $\pm 0.3\text{mm}$
2. Hole to Hole: 162.0mm
3. Spacings: 6.3mm
4. Holes dia.: 5.5mm
5. Rings width: 2.0mm
6. Ribs width: 2.5mm
7. Height: 8.0mm
8. Staging rings: 6 rings

Material:

- Reinforced plastic ABS, UL94V-0
- Color: standard black
(Other colors are available, MOQ is required)
- Weight: 40.0Gm

Mates with:

- DC: SD173AP, SD175SAP, SD175EAP, SD175RAP, MD175SAP, MD175EAP
- AC: S150AP, S162AP, S162EAP, S172SAP, S172EAP, M172AP, M172EAP series cooling fan

 Sinwan Electric Industries Co., Ltd.

Part Number: **G172P** (thru hole, Raised)

Description: Plastic Fan Guard For 172mm (6") Fan