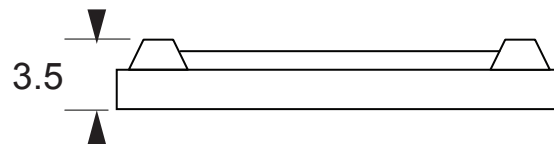
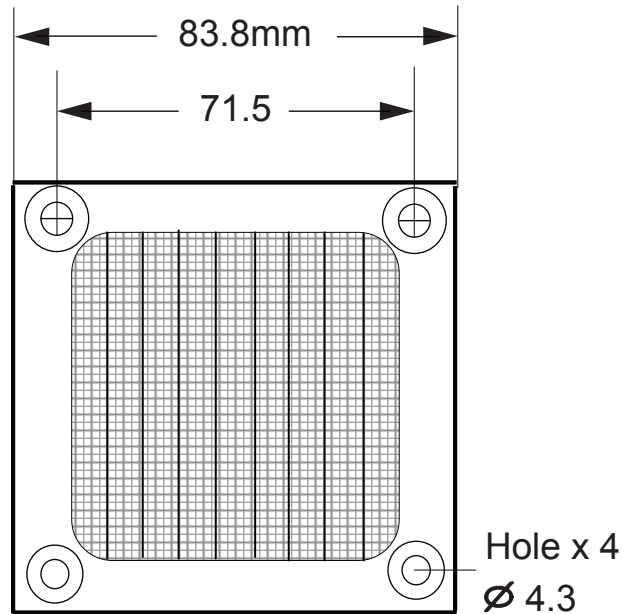


| Revision | | | |
|----------|-------------|-----------|----------|
| Rev. | Description | Date | Approved |
| A-2 | | 2015/1/22 | RD |



Specifications:

1. General tolerance unless noted is $\pm 0.3\text{mm}$
2. Hole to Hole: 71.5mm
3. Holes dia.: 4.3mm
4. Outer frame width: 83.8mm
5. Height.: 3.5mm

Material:

- Frame: Aluminum
- Screen: Stainless steel wire, tightly woven corrugated Mesh 30x30 holes
- Color: Natural
- Weight: 12.5Gm
- Comply with the limits as set by RoHS

Mates with:

- AC: S80AP, S825AP, S838, M838
- DC: SD8015PT, SD8020PT, SD8025PT series cooling fan



Sinwan Electric Industries Co., Ltd.

Part Number:

MF80S-30N

Description:

Metal Fan Screen For 80mm (3.15") Fan