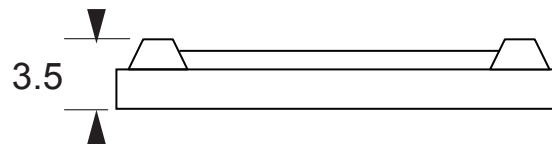
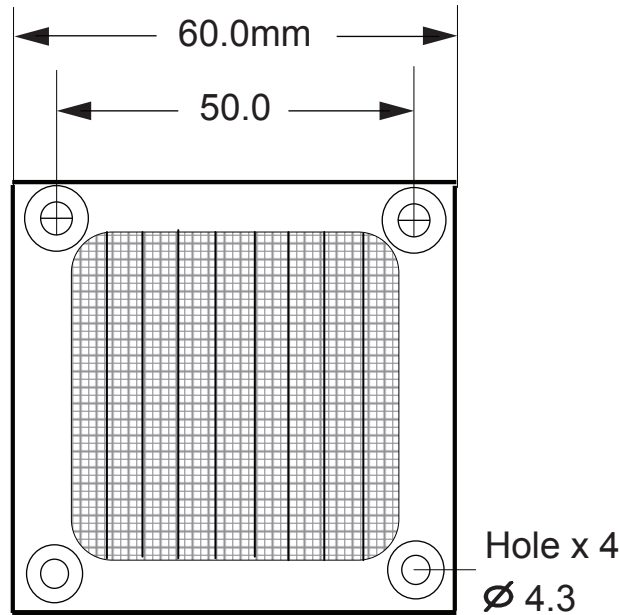


Revision			
Rev.	Description	Date	Approved
A-2		2015/1/23	RD



**Specifications:**

1. General tolerance unless noted is  $\pm 0.3\text{mm}$
2. Hole to Hole: 50.0mm
3. Holes dia.: 4.3mm
4. Outer frame width: 60.0mm
5. Height.: 3.5mm

**Material:**

- Frame: Aluminum
- Screen: Stainless steel wire, tightly woven corrugated Mesh 30x30 holes
- Color: Natural
- Weight: 6.8Gm
- Comply with the limits as set by RoHS

**Mates with:**

- DC: SD6010PT, SD6015PT, SD6020PT, SD6025PT series cooling fan



Sinwan Electric Industries Co., Ltd.

Part Number:

**MF60S-30N**

Description:

Metal Fan Screen For 60mm (2.36") Fan