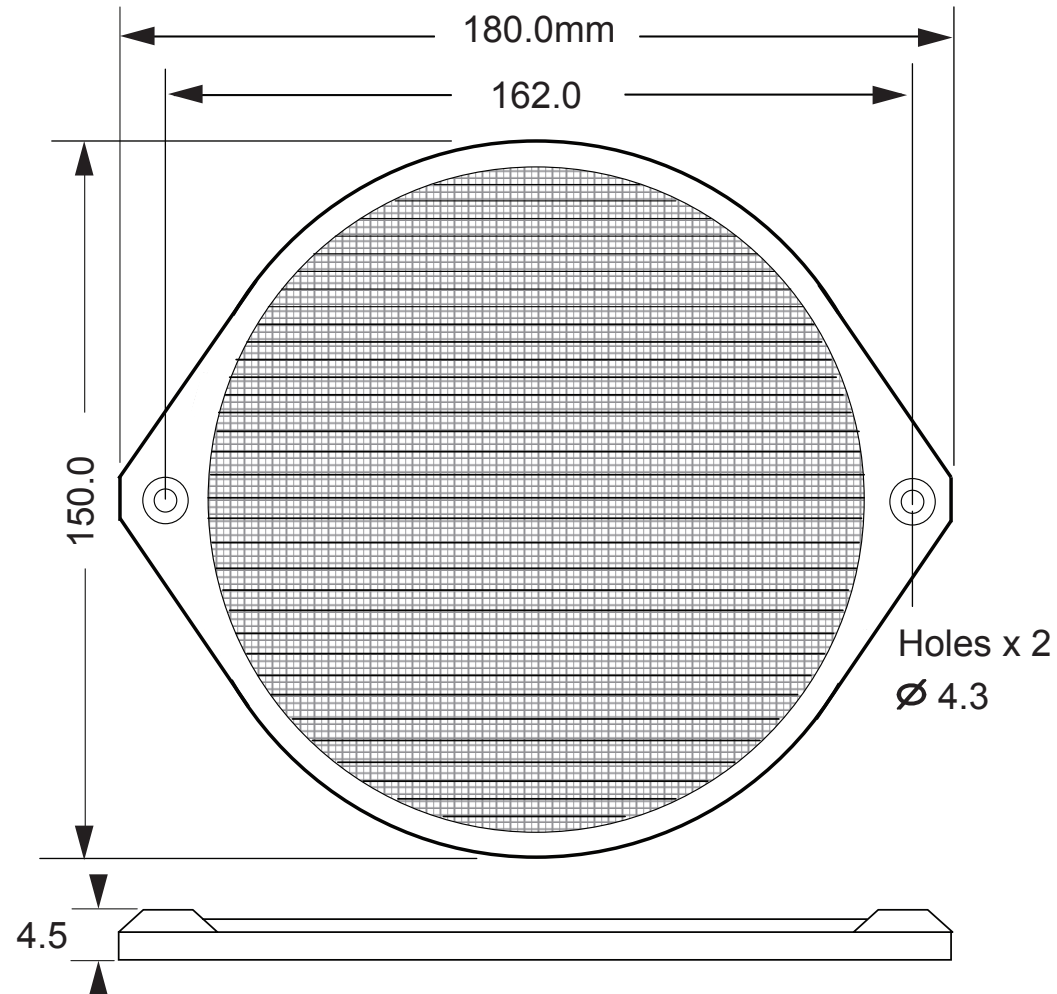


Revision			
Rev.	Description	Date	Approved
A-2		2015/1/23	RD



**Specifications:**

1. General tolerance unless noted is  $\pm 0.3\text{mm}$
2. Hole to Hole: 162.0mm
3. Holes dia.: 4.3mm
4. Outer frame width: 180.0mm
5. Height.: 4.5mm

**Material:**

- Frame: Aluminum
- Screen: Stainless steel wire, tightly woven corrugated Mesh 30x30 holes
- Color: Natural
- Weight: 32.2Gm
- Comply with the limits as set by RoHS

**Mates with:**

- AC: S150AP, S162AP, S162EAP, S172SAP, S172EAP  
M172AP, M172EAP, MD175SAP, MD175EAP
- DC: SD173AP, SD175SAP, SD175EAP  
series cooling fan



Sinwan Electric Industries Co., Ltd.

Part Number:

**MF172S-30N**

Description:

Metal Fan Screen For 172mm (6") Fan