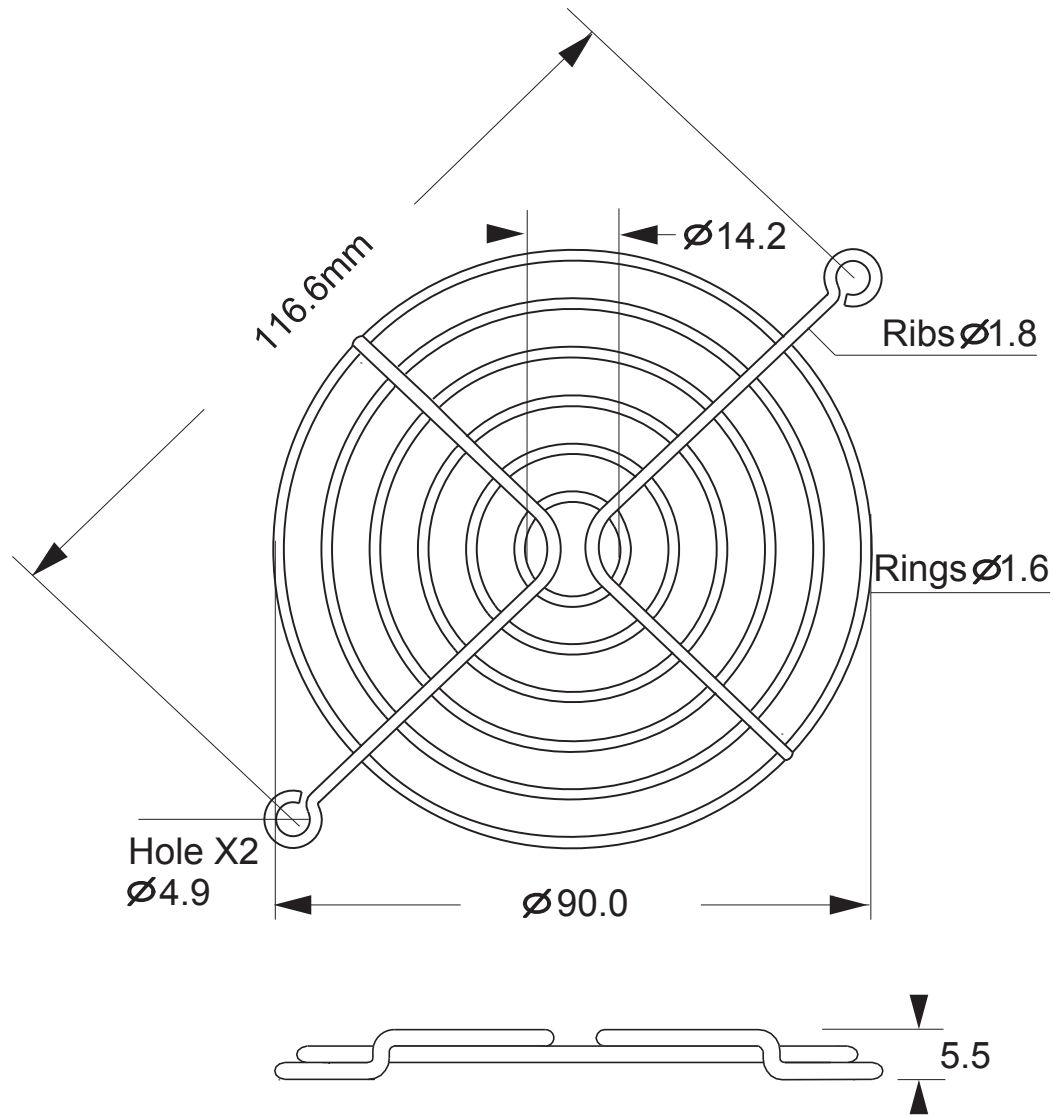


| Revision | | | |
|----------|-------------|------------|----------|
| Rev. | Description | Date | Approved |
| A-2 | | 2016/08/04 | RD |



Specifications:

1. General tolerance unless noted is $\pm 0.5\text{mm}$
2. Hole to Hole: $116.6\text{mm} \pm 0.5\text{mm}$
3. Holes dia.: $4.9\text{mm} \pm 0.2\text{mm}$
4. Outer ring dia.: $90.0\text{mm} \pm 0.5\text{mm}$
5. Ring dia.: $1.6\text{mm} \pm 0.1\text{mm}$
6. Rib dia.: $1.8\text{mm} \pm 0.1\text{mm}$
7. Height.: $5.5\text{mm} \pm 0.2\text{mm}$
8. Stagger welds: 6 rings

Material:

- Rings & Ribs Steel wire BLI-195(C1008)
- Surface Treating
Nickled-chrome electro plating surface, bright color
(Black color & other platings are available on request)
- Comply with the limits as set by RoHS / SVHC
- Weld Joins Contact Strength
Spot welding Points to withstand min. 88lbs(40Kgs.)
- Weight: 19Gm

Mates with:

- SD938, S92AP, S938AP, M938AP series cooling fan

 **Sinwan Electric Industries Co., Ltd.**

Part Number: G92-162

Description:
Metal Fan Guard For 92mm (3.62") Fan