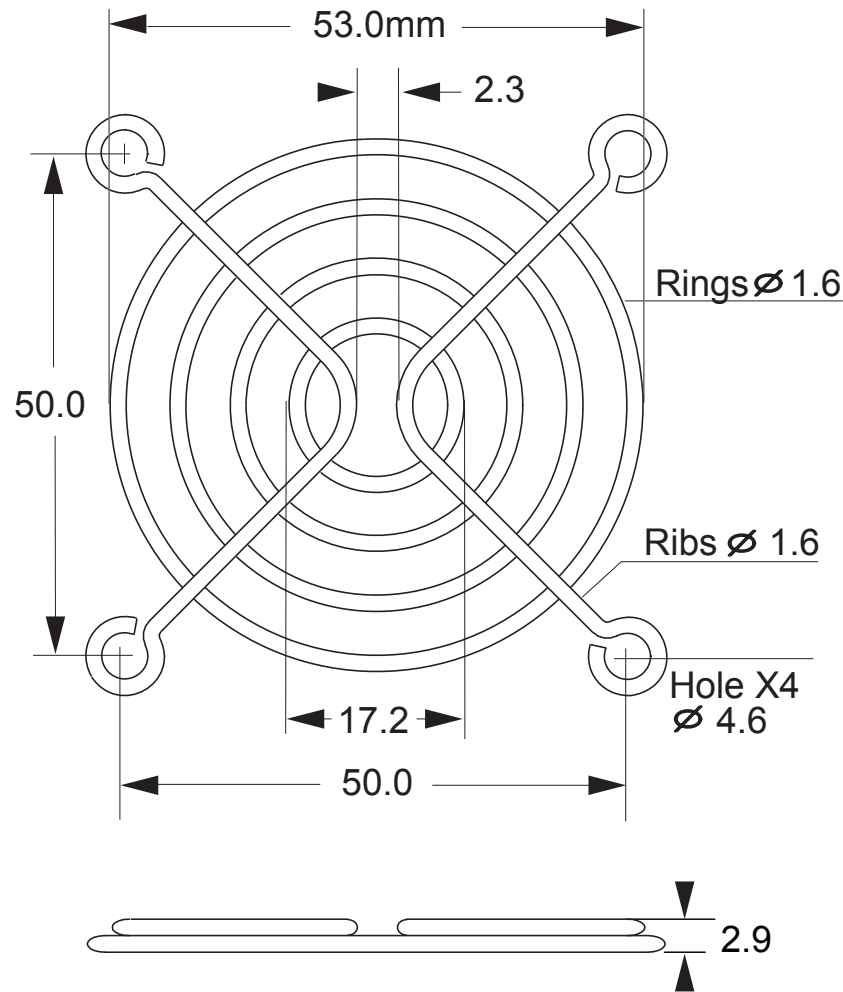


Revision			
Rev.	Description	Date	Approved
A-2		2014/10/01	RD



Specifications:

1. General tolerance unless noted is $\pm 0.5\text{mm}$
2. Hole to Hole: $50.0\text{mm} \pm 0.5\text{mm}$
3. Holes dia.: $4.6\text{mm} \pm 0.2\text{mm}$
4. Outer ring dia.: $53.0\text{mm} \pm 0.5\text{mm}$
5. Ring dia.: $1.6\text{mm} \pm 0.1\text{mm}$
6. Rib dia.: $1.6\text{mm} \pm 0.1\text{mm}$
7. Height.: $2.9\text{mm} \pm 0.2\text{mm}$
8. Stagger welds: 4 rings

Material:

- Rings & Ribs Steel wire BLI-195(C1008)
- Surface Treating
Nickled-chrome electro plating surface, bright color
(Black color & other platings are available on request)
- Comply with the limits as set by RoHS / SVHC
- Weld Joins Contact Strength
Spot welding Points to withstand min. 220lbs(100Kgs.)
- Weight: 10.0Gm

Mates with:

- DC: SD6010PT, SD6015PT, SD6020PT, SD6025PT series cooling fan



Sinwan Electric Industries Co., Ltd.

Part Number:

G60-4F

Description:

Metal Fan Guard For 60mm (2.36") Fan