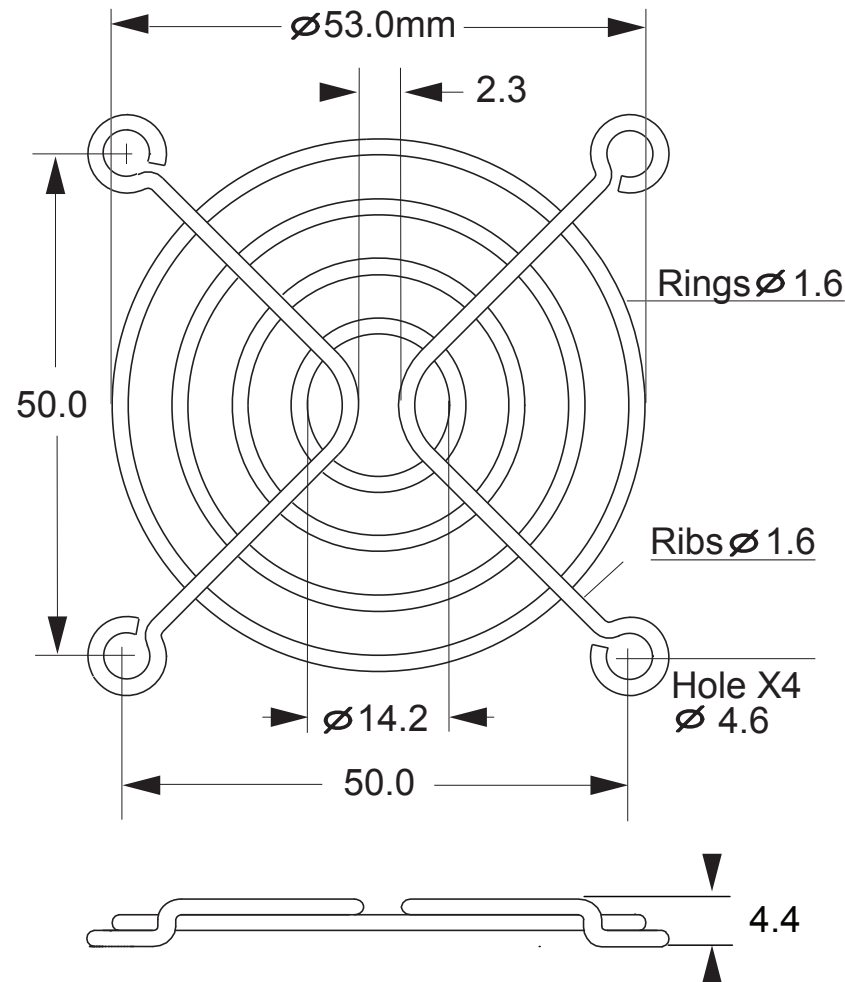


| Revision | | | |
|----------|-------------|----------|----------|
| Rev. | Description | Date | Approved |
| A-3 | | 2017/5/9 | RD |



Specifications:

1. General tolerance unless noted is $\pm 0.5\text{mm}$
2. Hole to Hole: $50.0\text{mm} \pm 0.5\text{mm}$
3. Holes dia.: $\varnothing 4.6\text{mm} \pm 0.2\text{mm}$
4. Outer ring dia.: $\varnothing 53.0\text{mm} \pm 0.5\text{mm}$
5. Ring dia.: $\varnothing 1.6\text{mm} \pm 0.1\text{mm}$
6. Rib dia.: $\varnothing 1.6\text{mm} \pm 0.1\text{mm}$
7. Height.: $4.4\text{mm} \pm 0.2\text{mm}$
8. Stagger welds: 4 rings

Material:

- Rings & Ribs Steel wire BL1-195(C1008)
- Surface Treating
Nickled-chrome electro plating surface, bright color
(Black color & other platings are available on request)
- Comply with the limits as set by RoHS / SVHC
- Weld Joins Contact Strength
Spot welding Points to withstand min. 88lbs(40Kgs.)
- Weight: 10.0Gm



Sinwan Electric Industries Co., Ltd.

Part Number:

G60-4

Description:

Metal Fan Guard For 60mm (2.36") Fan