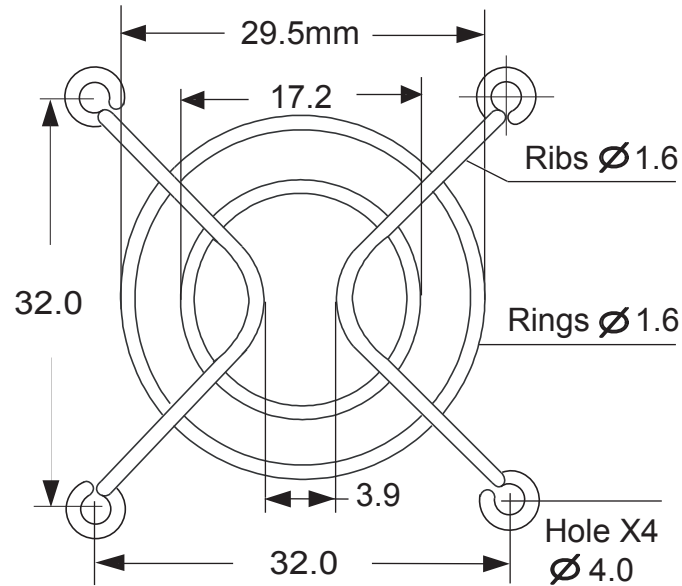


Revision			
Rev.	Description	Date	Approved
A-2		2014/9/10	RD



### Specifications:

1. General tolerance unless noted is  $\pm 0.5\text{mm}$
2. Hole to Hole:  $32.0\text{mm} \pm 0.5\text{mm}$
3. Holes dia.:  $4.0\text{mm} \pm 0.2\text{mm}$
4. Outer ring dia.:  $29.5\text{mm} \pm 0.5\text{mm}$
5. Ring dia.:  $1.6\text{mm} \pm 0.1\text{mm}$
6. Rib dia.:  $1.6\text{mm} \pm 0.1\text{mm}$
7. Height.:  $4.8\text{mm} \pm 0.2\text{mm}$
8. Stagger welds: 2 rings

### Material:

- Rings & Ribs Steel wire BLI-195(C1008)
- Surface Treating  
Nickled-chrome electro plating surface, bright color  
(Black color & other platings are available on request)
- Comply with the limits as set by RoHS / SVHC
- Weld Joins Contact Strength  
Spot welding Points to withstand min. 220lbs(100Kgs.)
- Weight: 4.7Gm

### Mates with:

- DC: SD4006, SD4007, SD4010, SD4020, SD4510 series cooling fan

 **Sinwan Electric Industries Co., Ltd.**

Part Number:

**G40-2**

Description:

Metal Fan Guard For 40mm (1.57") Fan