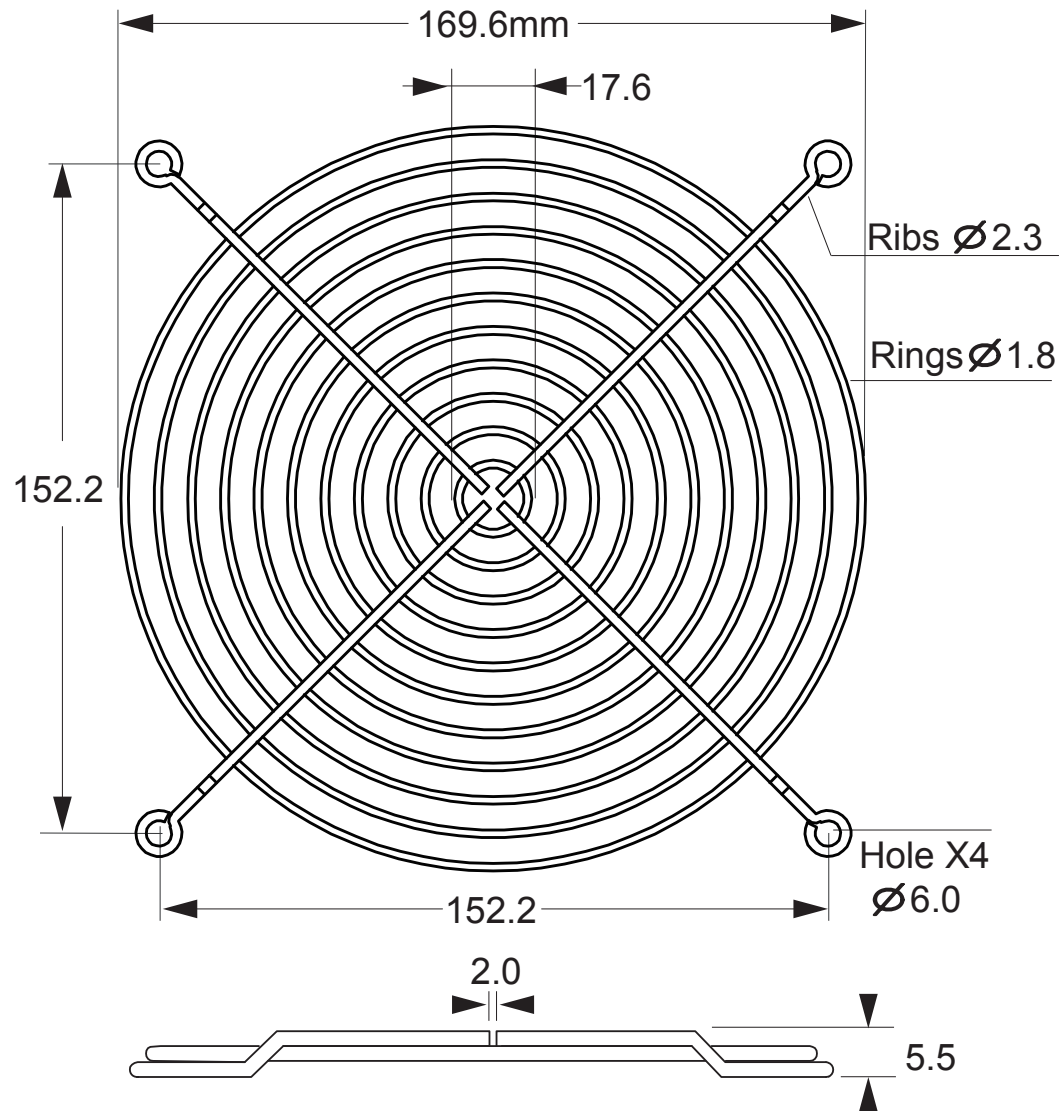


Revision			
Rev.	Description	Date	Approved
A-2		2015/1/26	RD



Specifications:

1. General tolerance unless noted is ± 0.5 mm
2. Hole to Hole: 152.2 mm ± 0.5 mm
3. Holes dia.: 6.0 mm ± 0.2 mm
4. Outer ring dia.: 169.6 mm ± 0.5 mm
5. Ring dia.: 1.8 mm ± 0.1 mm
6. Rib dia.: 2.3 mm ± 0.1 mm
7. Height.: 5.5 mm ± 0.2 mm
8. Stagger welds: 11 rings

Material:

- Rings & Ribs Steel wire BLI-195(C1008)
- Surface Treating
Nickled-chrome electro plating surface, bright color
(Black color & other platings are available on request)
- Comply with the limits as set by RoHS / SVHC
- Weld Joins Contact Strength
Spot welding Points to withstand min. 220lbs(100Kgs.)
- Weight: 78.2Gm

Mates with:

- S180FAP, S180GAP, SD180FAP, M180FAP, MD180FAP series cooling fan

 **Sinwan Electric Industries Co., Ltd.**

Part Number:

G180-11

Description:

Metal Fan Guard For 180mm (7") Fan