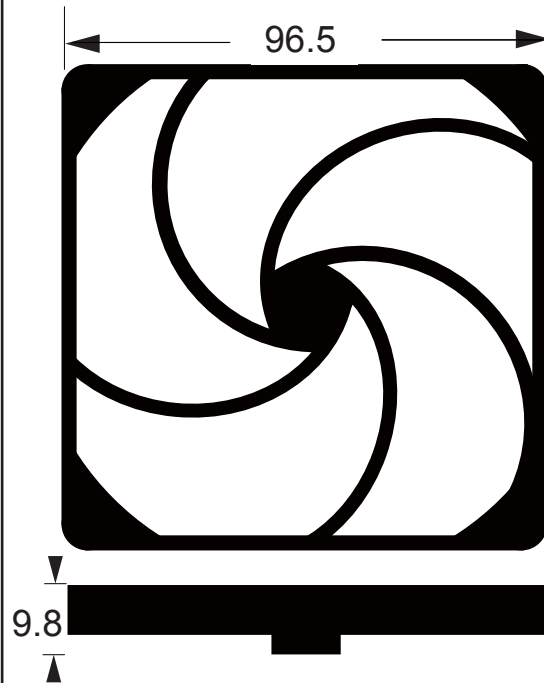
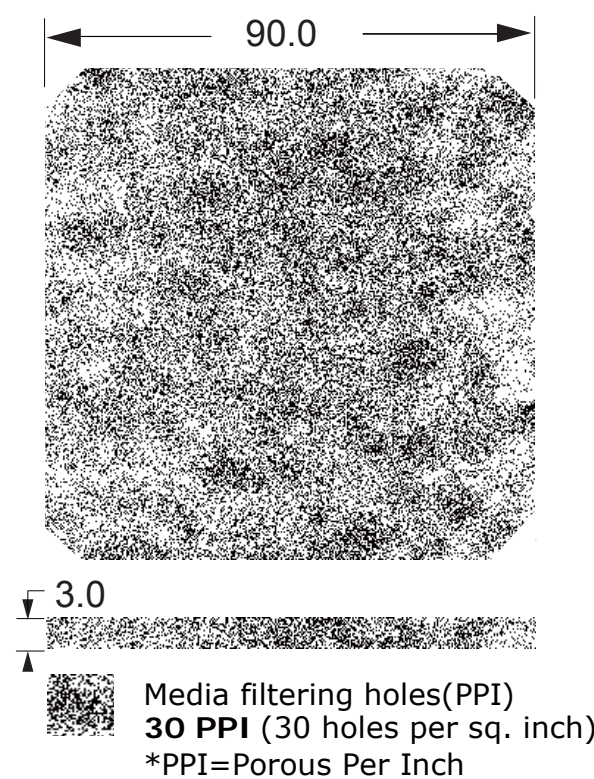


Revision			
Rev.	Description	Date	Approved
A-3		2016/6/21	RD

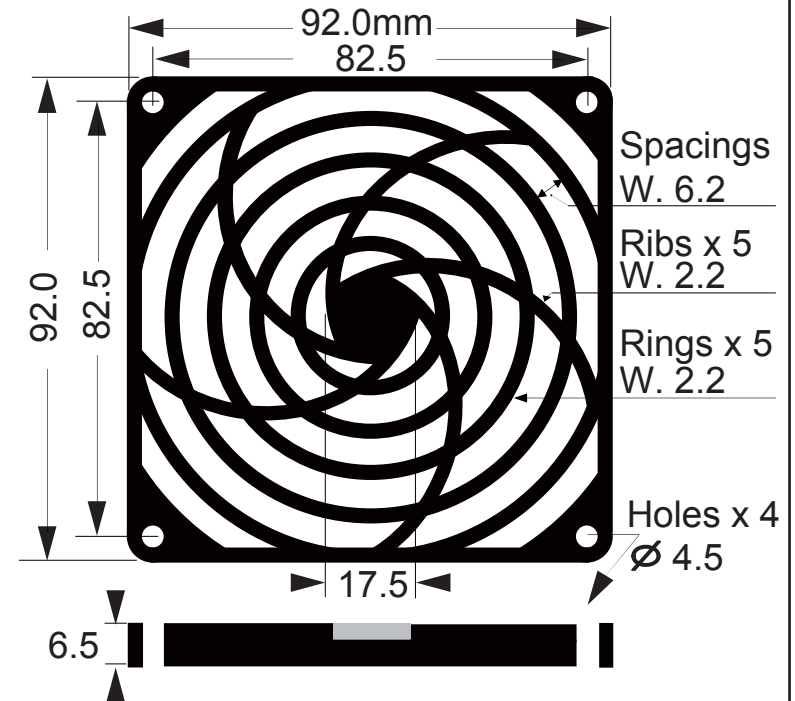
Retainer "R" / R92P



Media "M" / M92-30




Guard "G" / G92P



Specification / Material:

- General tolerance unless noted is $\pm 0.3\text{mm}$
- Plastic guard "G" & Retainer "R" made of plastic ABS764 glass reinforced flammability rated UL94V-0
- Media "M" is made of PU form (UL Option)
- Color: black / Filtering holes: 30PPI / Weight: 23.2Gm

 Sinwan Electric Industries Co., Ltd.	
Part Number:	GRM92-30
Description:	(Plastic Fan Filter Kits For 92mm (3.62") Fans)