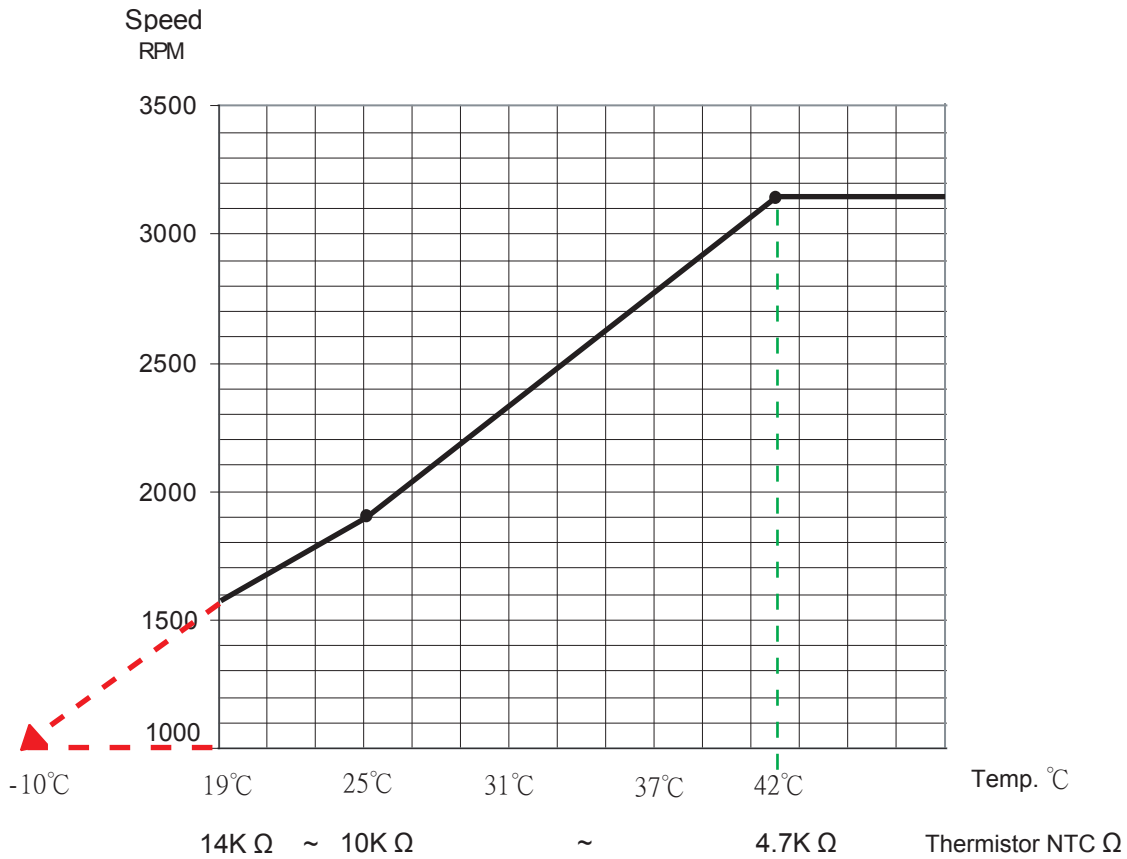


Sinwan DC Crossflow Fan



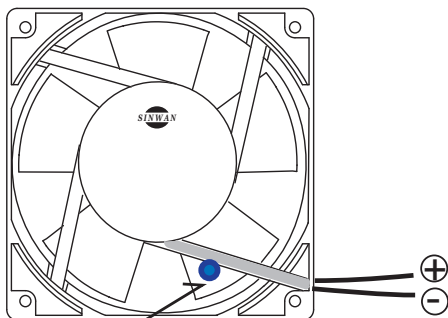
From MCD529~MCD308, S/C Type, Thermal speed control

RPM speed, vs Temp. °C & NTC Thermistor Ω



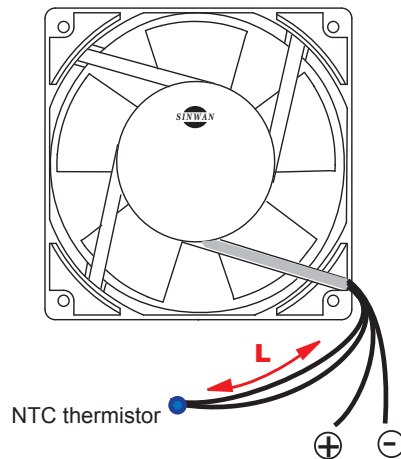
Wiring method

(I) standard type



NTC thermistor location

(II) outer type



L : Length of leads based on user's requirement